

THE INFORMATION CONTAINED IN THIS DRAWING IS THE SOLE PROPERTY OF Glendinning Products, LLC ANY REPRODUCTION IN PART OR WHOLE WITHOUT THE WRITTEN PERMISSION OF Glendinning Products, LLC IS PROHIBITED.

REV	DESCRIPTION	ECN#	APPROVED	DATE
A	XXXXXX	XXXXX	XXX	00/00/00



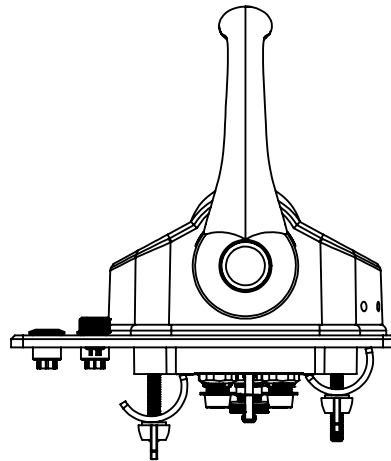
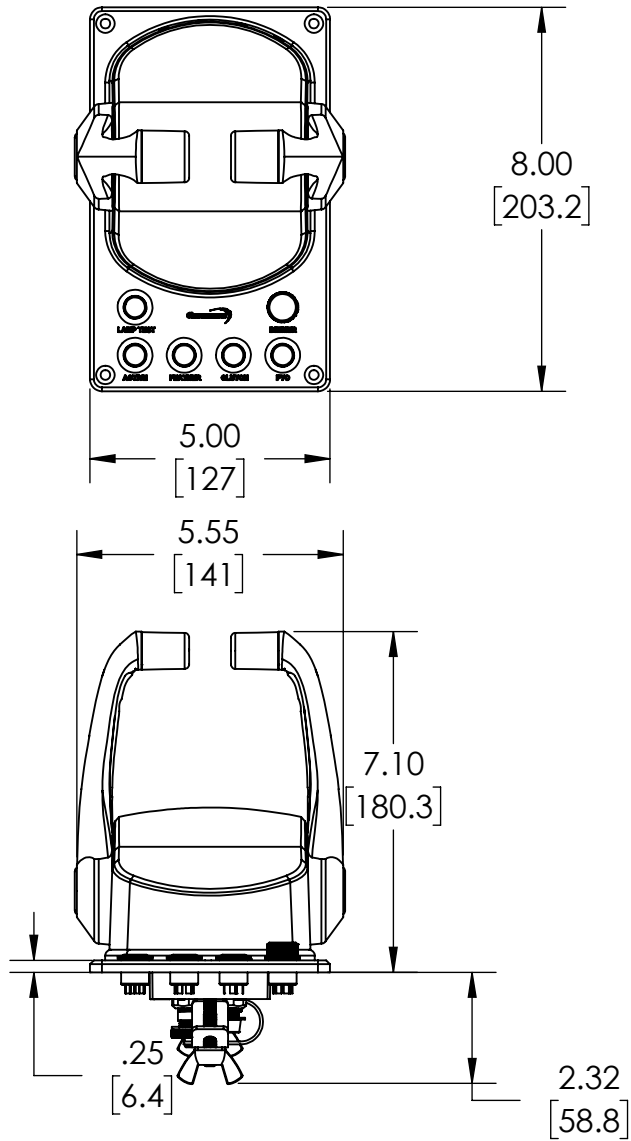
11419-xx Control head
 (5) Pushbutton switches
 w/ integral LED IP67
 (1) Dimmer for LED IP67

Aluminum Base (1/4" high)
 - anodize and powder coated
 - laser etched switch labeling
 - customizable per application
 - (6) #10 mounted holes

GLENDINNING PRODUCTS, LLC 740 CENTURY CIRCLE, CONWAY, SC 29526 PH 843-399-6146 FAX 843-399-5005			
CPP CH Station - Small			
DWG NO.			
V2			
SIZE	SCALE	REV.	
A	1:8	A	
DRAWN BY	DATE	CHECKED BY	DATE
PG	3/28/21	XXX	00/00/00

THE INFORMATION CONTAINED IN THIS DRAWING IS THE SOLE PROPERTY OF
 Glendinning Products, LLC ANY REPRODUCTION IN PART OR WHOLE WITHOUT
 THE WRITTEN PERMISSION OF Glendinning Products, LLC IS PROHIBITED.

REV	DESCRIPTION	ECN#	APPROVED	DATE
A	XXXXXX	XXXXX	XXX	00/00/00



**GLENDINNING
 PRODUCTS, LLC**
 740 CENTURY CIRCLE, CONWAY, SC 29526
 PH 843-399-6146 FAX 843-399-5005

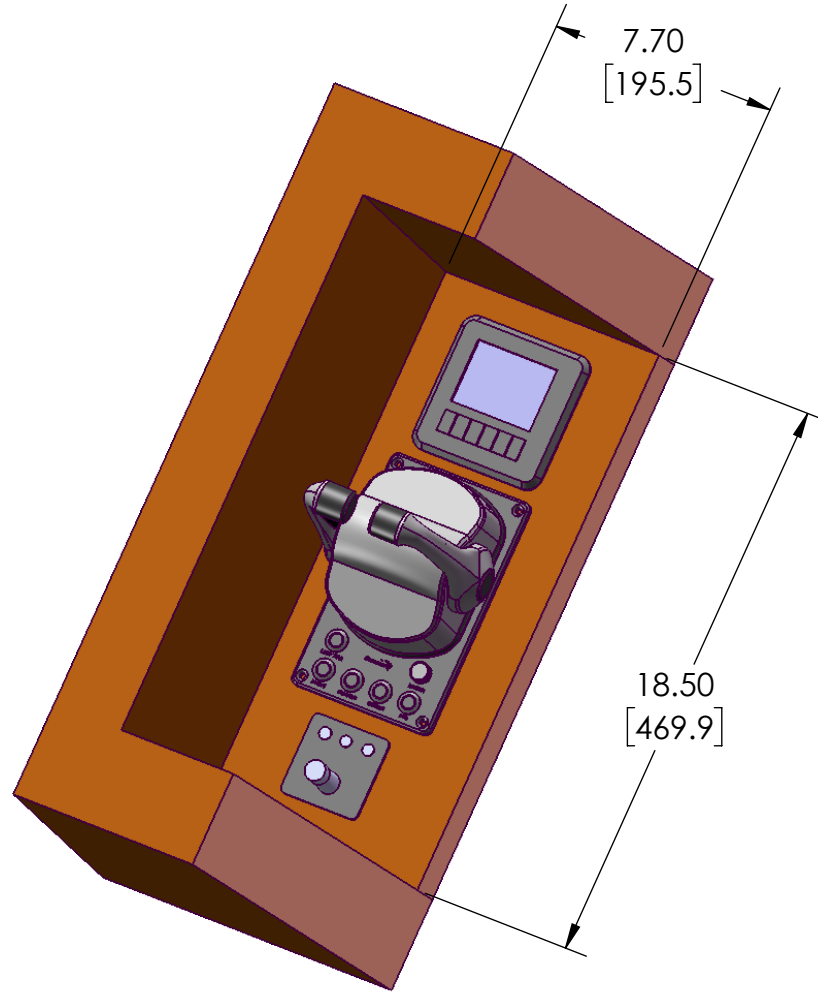
CPP CH Station - Small

DWG NO. V2

SIZE	SCALE	REV.	
A	1:4	A	
DRAWN BY	DATE	CHECKED BY	DATE
PG	3/28/21	XXX	00/00/00

THE INFORMATION CONTAINED IN THIS DRAWING IS THE SOLE PROPERTY OF
 Glendinning Products, LLC ANY REPRODUCTION IN PART OR WHOLE WITHOUT
 THE WRITTEN PERMISSION OF Glendinning Products, LLC IS PROHIBITED.

REV	DESCRIPTION	ECN#	APPROVED	DATE
A	XXXXXX	XXXXX	XXX	00/00/00



GLENDINNING PRODUCTS, LLC 740 CENTURY CIRCLE, CONWAY, SC 29526 PH 843-399-6146 FAX 843-399-5005			
CPP CH Station - Small			
DWG NO.			
V2			
SIZE	SCALE	REV.	
A	1:8	A	
DRAWN BY	DATE	CHECKED BY	DATE
PG	3/28/21	XXX	00/00/00