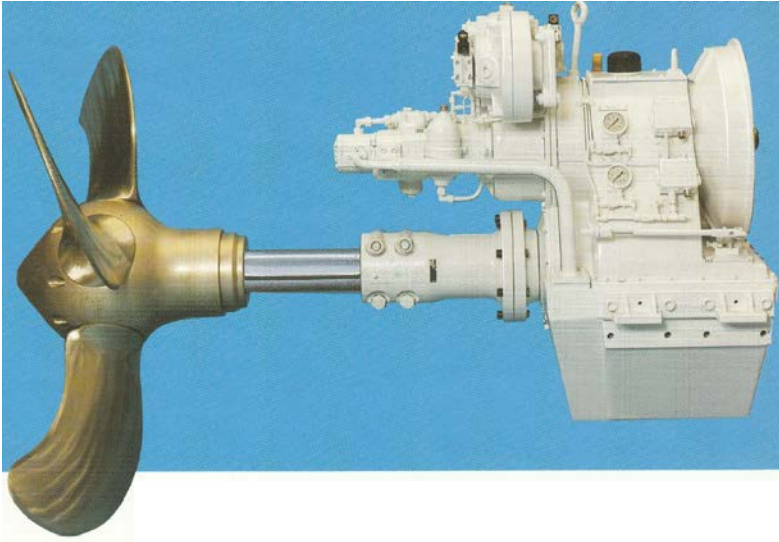


**COMPLETE CONTROLS 2 APPLICATION
HUNDESTED CPP**



Type FR - H





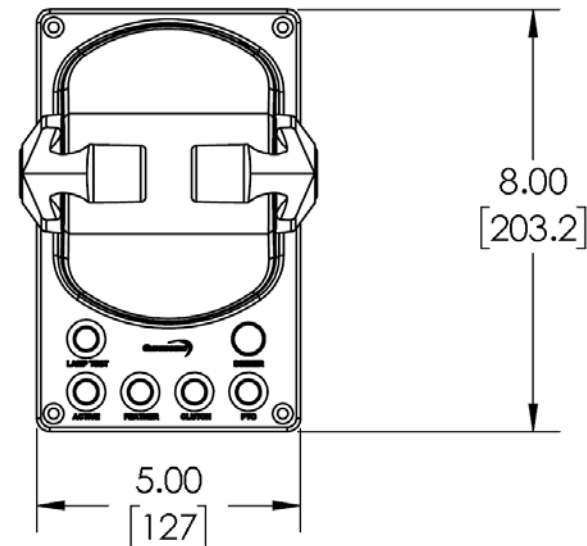
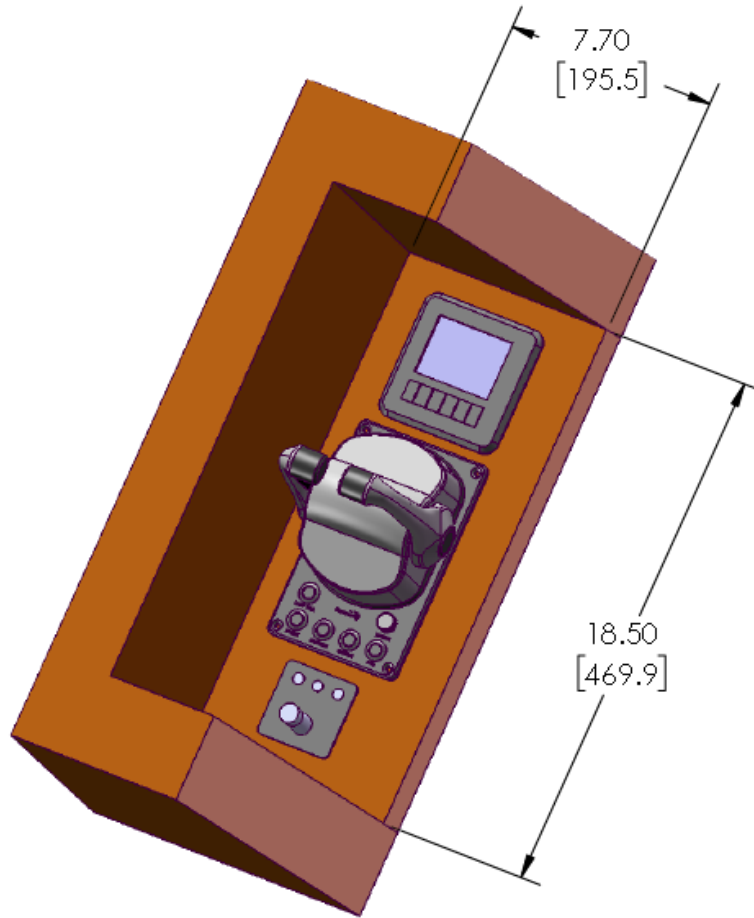
<https://www.bermudasloop.org/>

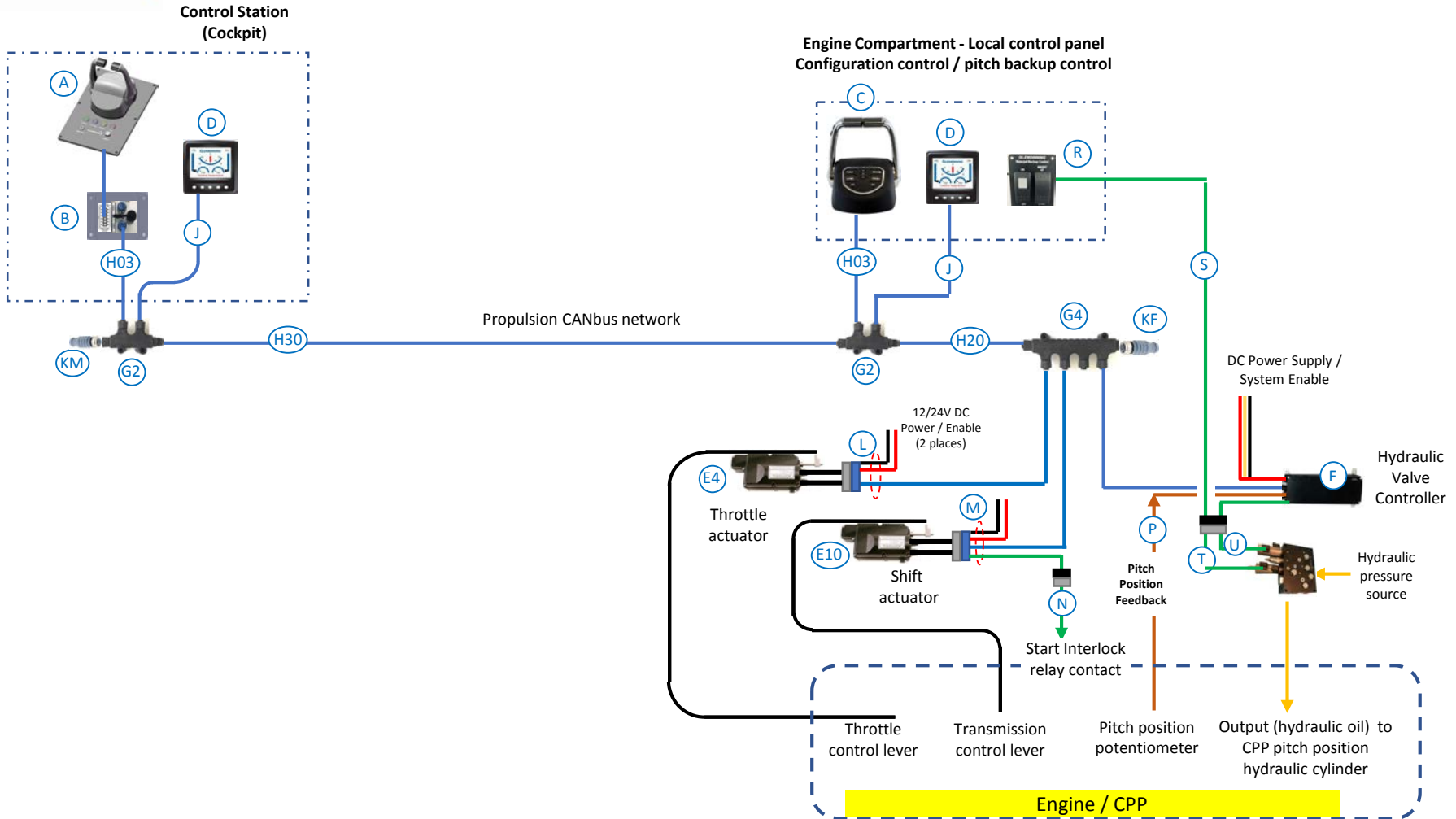


Existing Control



Control Modifications



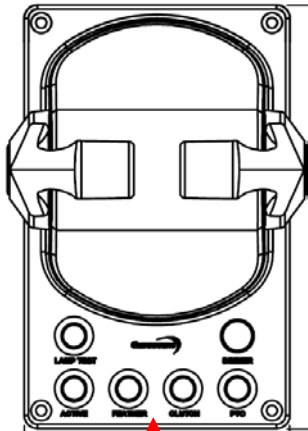


NOTE

Glendinning hydraulic manifold shown. Alternative hydraulic valve could be substituted (example: PVG32)

MAIN STATION DETAILS

- PITCH control handle**
- 150 degree travel.
 - Detent at “neutral thrust” position



- THROTTLE / SHIFT control handle**
- 150 degree travel
 - 3 detent position (Neutral / Forward Idle / Reverse Idle)

FUNCTION BUTTONS

- “Active” – Station transfer
- “Feather” – Activate / deactivate Feather Mode
- “Clutch” – Activate / deactivate transmission shift (Throttle only mode)
- “PTO” (optional) – Activate / Deactivate PTO clutch

**ENGINE COMPARTMENT
 STATION DETAILS**

- PITCH control handle**
- 150 degree travel.
 - Detent at “neutral thrust” position



- THROTTLE / SHIFT control handle**
- 150 degree travel
 - 3 detent position (Neutral / Forward Idle / Reverse Idle)

KEYPAD BUTTONS

- “Active” – Station transfer
- “Feather” – Activate / deactivate Feather Mode
- “Clutch” – Activate / deactivate transmission shift (Throttle only mode)
- “PTO” (optional) – Activate / Deactivate PTO clutch



Graphic Display

- Indicates pitch / shift / throttle position.
- Provides for adjustment of pitch position for feather and zero thrust.



CONTROLLABLE PITCH PROPELLER
SINGLE Engine – Mech throttle / mech shift

ITEM	QTY	PART NUMBER	DESCRIPTION
A	1	11422-SGCP3-3B	CPP Control Panel – Sgl Engine Type 3 - 3 button
B	1	11480-CP3-3B	Analog control interface – CP Type 3
C	2	114200-SGCP3-B	Genesys Ctrl Head – Single eng / CPP – Type 3 - Black cover
D	1	11900-JS	Graphic Display
E4	1	11356E-C4	Smart Actuator 4 – CAN control (Throttle control)
E10	1	11356E-C10	Smart Actuator 4 – CAN control (Shift control / start interlock)
F	1	19350-HVC-P	Hydraulic Valve Controller – CPP pitch control
G2	2	11600-DTEE	CAN Tee – dual
G4	1	11600-QTEE	CAN Tee – quad
H03	2	11600-01-03	Station Comm cable (M/F) – 3 feet
H20	1	11600-01-20	Station Comm cable (M/F) – 20 feet
H30	1	11600-01-30	Station Comm cable (M/F) – 30 feet
J	2	11610-D1-03	Harness – Graphic Display – Single CAN – 3 feet
KM	1	11600-TRM	Terminating Resistor (Male)
KF	1	11600-TRF	Terminating Resistor (Female)
L	1	11610-SA4-006	Harness – Smart Actuator 4 – Throttle control
M	1	11610-SA4-004	Harness – Smart Actuator 4 – Mech shift / start interlock
N	1	11602-03-03	Harness – Start Interlock
P	1	11610-HVFBC-20	Harness – Pitch position feedback - blunt cut – 20 feet
R	1	11496-WJB-P	Backup control panel – pitch control
S	1	11608-11-20	Harness – Backup control – 20 feet
T	1	11714-WJB3-12	Backup control relay assy – Type 3
U	1	11610-HVS-DT-20	Harness – Hydraulic solenoid valve –2 pinDT plug – 20 feet